

# NOVOTEXI ROOF WALKWAY ASSEMBLY (IEM-NT1)

## STEP 1: PRE-ASSEMBLY OF NOVOTEXI BRACKETS

### PARTS REQUIRED:

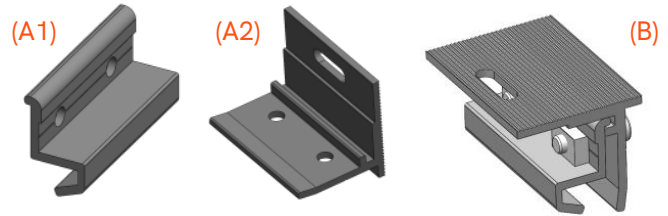
- Novotexi roof brackets (A1) & (A2)
- M8x25 cap screw & flat washer (B)
- Square nut

### TOOLS REQUIRED:

- 6mm Allen key

### INSTRUCTIONS:

1. Pre-assembly the Novotexi brackets loosely (2x brackets per mounting profile required) (B)



## STEP 2: BOLTING OF NOVOTEXI BRACKETS TO ROOF SHEET

### PARTS REQUIRED:

- Pre-assembled Novotexi roof brackets (B)
- Mounting rail (Cut to length) (D)
- 2x M8x20 Cap screws per mounting rail (E)
- 2x M8 Flat washers per mounting rail (E)
- 2x M8 Spring washers per mounting rail (E)

### TOOLS REQUIRED:

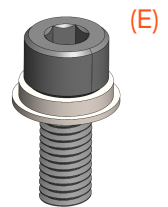
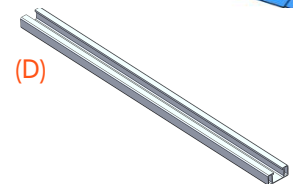
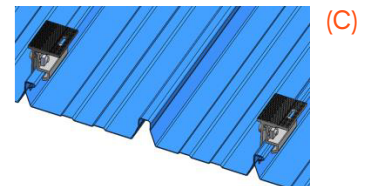
- Electrical/Battery operated drill
- 9mm Drill bit
- 6mm Allen key
- Tape measure

### INSTRUCTIONS:

1. Measure the required section length of walkway to mount to the roof
2. Cut walkway to length if required
3. Position the mounting rail (D) 150mm from either edge of the walkway (Front & Back)
4. Slide the pre-assembled Novotexi brackets over the roof sheets into position and tighten to 24nm
5. Place the mounting rail (D) on top of the Novotexi brackets (C)
6. Mark the position for the M8x20 cap screws
7. Drill a 9mm hole in the required areas on the mounting rail (D)
8. Bolt the M8x20 cap screws into the Novotexi bracket and tighten with a torque of 24nm

### NOTE:

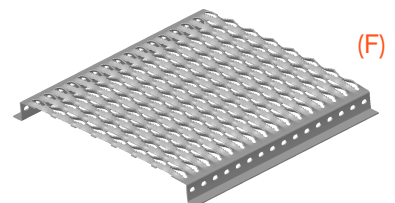
- Remaining mounting rails to be equally spaced between the 2 outer mounting rails
- Mounting rails to have a maximum centre to centre of 1,5m apart



## STEP 3: BOLTING OF THE WALKWAY TO THE MOUNTING RAIL

### PARTS REQUIRED:

- Walkway (F)
- 2x M8x20 Cap screws per mounting rail (E)
- 2x M8 Flat washers per mounting rail (E)
- 2x M8 Spring washers per mounting rail (E)
- 2x Profile nuts per mounting rail (G)
- 2x Clamp washers per mounting rail (H)



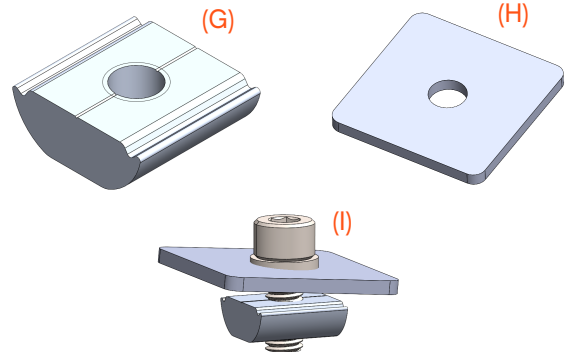
# NOVOTEXI ROOF WALKWAY ASSEMBLY (IEM-NT1)

## TOOLS REQUIRED:

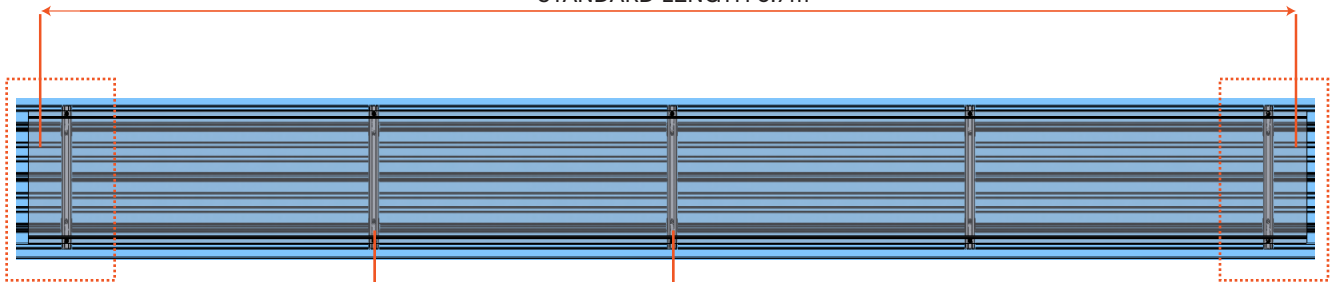
- Electrical/Battery operated drill
- 6mm Allen key
- Tape measure

## INSTRUCTIONS:

1. Place the walkway onto the mounting rails (150mm from either mounting rail)
2. Position the walkway on top of the mounting rails
3. Pre-assembly the M8x20 cap screw, flat, spring & clamp washer (I)
4. Slide the assembled clamp unit into the mounting rail and over the walkway (I)
5. Ensure the clamp washer is over the walkway edge, then torque the cap screw to 24nm
6. Continue the process for the remaining rails
7. Ensure 20mm expansion gaps between consecutive walkways (J)

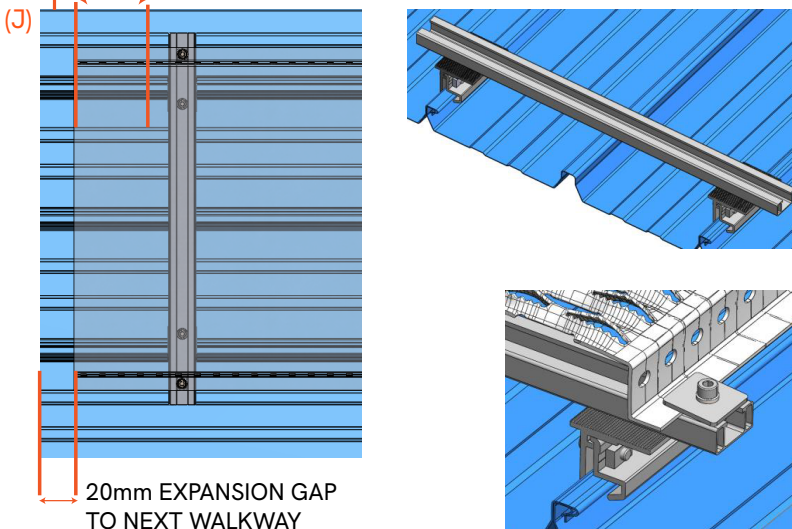


STANDARD LENGTH 5.7m

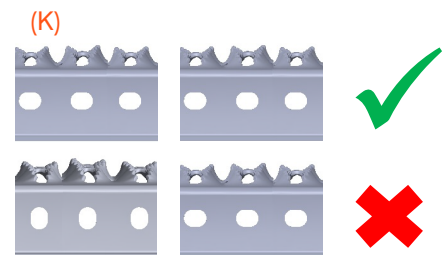


EQUALLY SPACED AFTER EITHER END HAS BEEN POSITIONED  
MAX 1,5M APART

150mm (FACE TO FACE)



OVAL HOLES ON SIDE OF WALKWAY TO MATCH ON CONSECUTIVE LENGTHS (K)

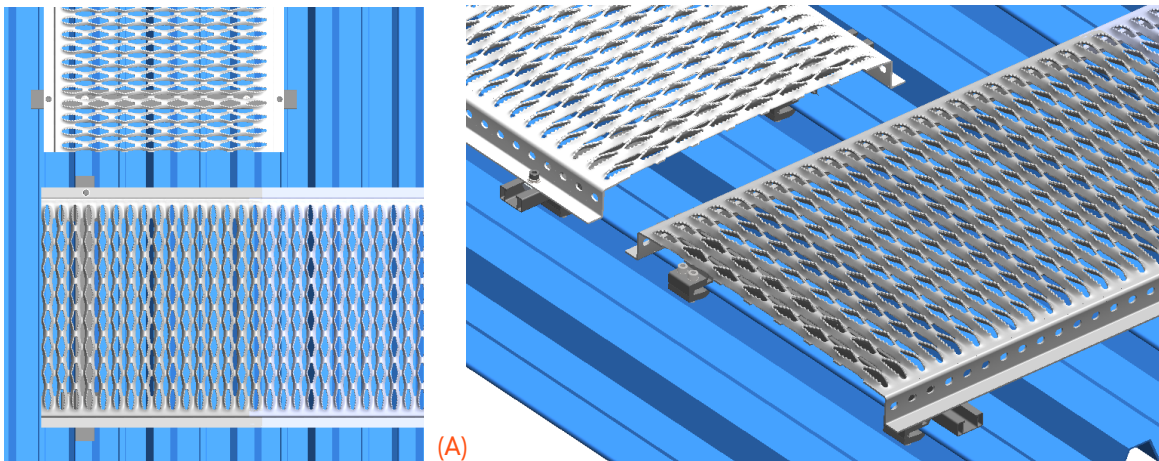


# SAFETY INSTRUCTIONS FOR ALL ROOF WALKWAY INSTALLATIONS

## ASSEMBLY OF WALKWAYS TO ROOFS

### INSTRUCTIONS:

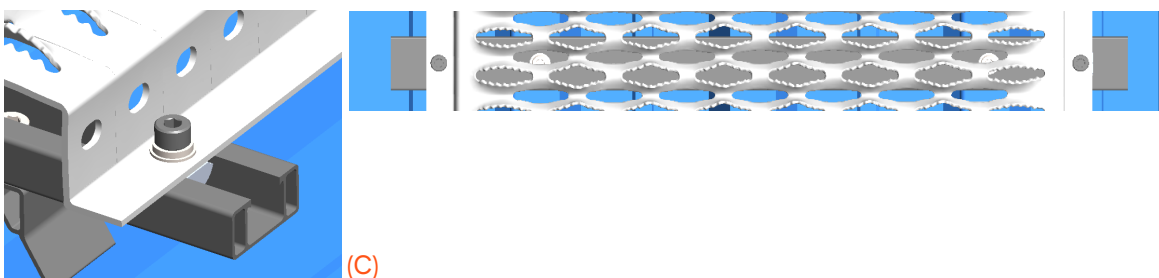
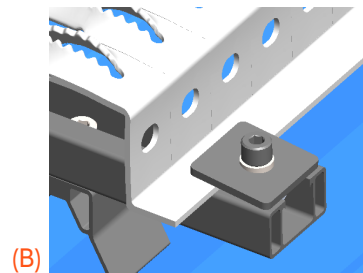
1. Ensure all walkways at all times are securely fastened to the mounting rail supporting the walkway (A)
2. Mounting rails to be used parallel and perpendicular to roof sheeting as per illustration bellow (A)



## INSTALLING OF WALKWAYS ON ROOFS WITH GRADIENTS

### INSTRUCTIONS:

1. All walkways to be installed with a minimum of 2x bolts, flat & spring washers clamping through a drilled hole in the walkway and fastened into a profile nut (C)
2. Remaining walkway length can be fastened by clamping over the walkway as per image (B)
3. All walkways installed on a roof with a gradient of 5 degrees or more, are to use the mounting method shown in image (C) for all mounting rails supporting the walkway



# NOVOTEXI WALKWAY ASSEMBLY KIT BOM (IEM-NT1)

Item	Description	Quantity	Part CAD Image
IEM#1	Rail (top fix) 20x575mm AL6063 T6 Mill	5	
IEM#15	Novo Texi Clamp	10	
IEM#3	Cap Screw - M8x20mm SS304	20	
IEM#4	Spring Washer M8 SS304	20	
IEM#5	Flat Washer M8x16x1,5 SS304	20	
IEM#6	Aluminium Rail Nut Winged AL6005 T5	10	
IEM#7	Nut M8 Standard SS304	10	
IEM#12	Laser Cut Clamp Washer - 40x40mm	10	